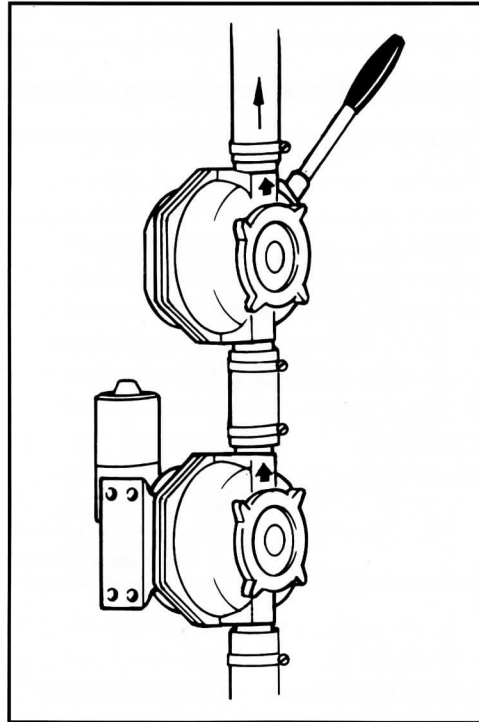


## Installation — electric pump

### Installing the electric pump (electric version only)

2. The time switch is set for 30-45 seconds. If you wish to lengthen the operating time due to very long pipe runs, turn the small screw in the centre of the back of the switch **very slightly** in a clockwise direction.
3. Ensure when mounting the pump that the flow arrows are facing upwards. **Do not mount in a horizontal position.** Also ensure that the pump is no lower than the top of the bowl.
4. **WARNING. Do not operate the switch while using the toilet. As a precaution, mount the switch in such a position that children cannot reach it until after use.**

**IF REQUIRED, A HAND PUMP CAN BE FITTED IN SERIES WITH THE ELECTRIC PUMP TO PROVIDE EMERGENCY BACK UP.**



## Installation — holding tank

### Holding tank systems

The Lavac marine toilet is ideal for use with a holding tank system. It uses very little water in the flushing operation. Having a separate pump is of considerable advantage as, in conjunction with a two-way valve, it can carry out other tasks.

The diagram below (fig. 1) shows how this saves the cost of a separate pump and hull fitting.

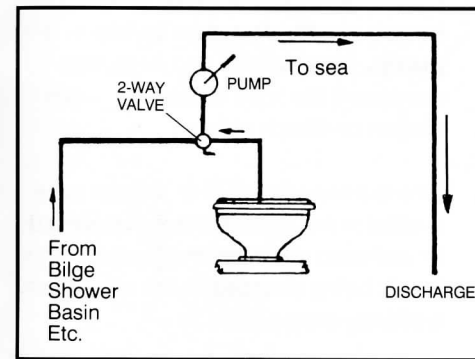


Fig. 1

Fig. 2 demonstrates how discharge can be directed to a holding tank. Later on, the tank can be emptied to sea or ashore using the same pump.

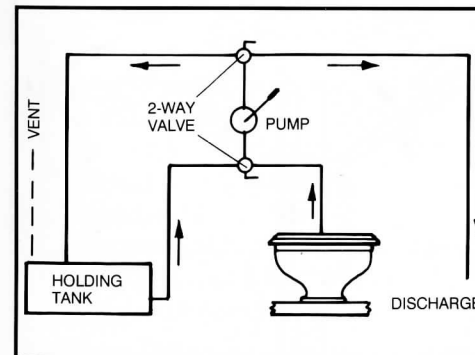


Fig. 2

The Lavac has the added advantage that, due to its unique system of breaking down solids in the pan, this waste remains in suspension in the tank, allowing more efficient emptying.

The Lavac provides the facility to site the holding tank anywhere in the boat, allowing a larger tank than possible with many other systems.

### Two-way valves

These can be supplied on request.

The two-way valve we supply has a positive action, is almost maintenance free and has no parts to wear out or corrode.